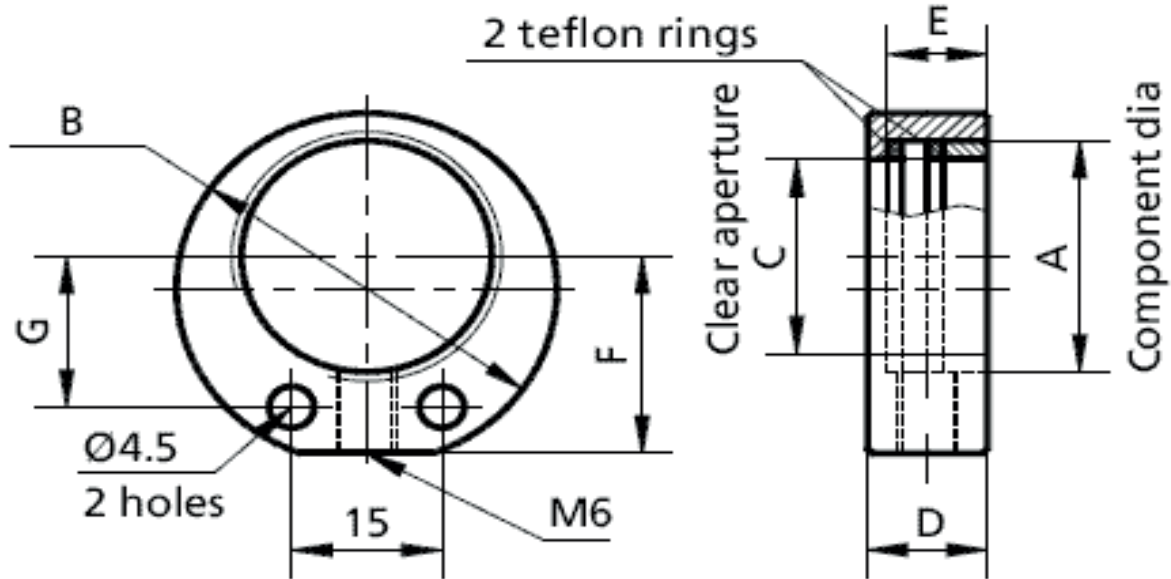


## Component holders

**Material / Specification:** Fixed component holder

**Part Code(s):** HFI0012 to HFI0075



Model	A, mm	B, mm	C, mm	D, mm	E, mm	F, mm	G, mm	Weight
4OCM-10	12.7 (0.5")	26	8	12	10	13.5	8.5	0.01
4OCM-20	20	33	17	12	10	18.8	13.8	0.02
4OCM-25	25.4 (1")	38	23	12	10	21.3	16.3	0.02
4OCM-40	40	53	37	18	16	28.8	23.8	0.04
4OCM-50	50.8 (2")	65	48	18	16	34.8	29.8	0.05
4OCM-75	75	89	72	18	16	46.5	42	0.06