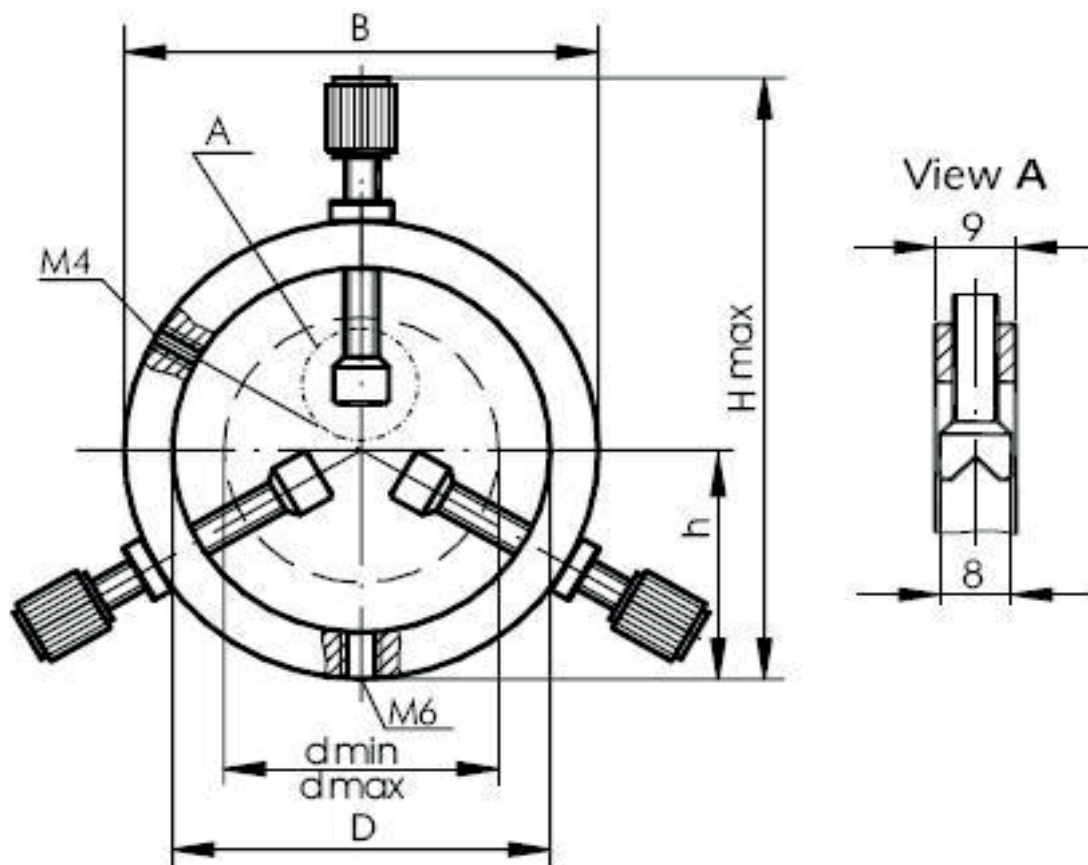


## Component holders

**Material / Specification:** Adjustable component holder

**Part Code(s):** HAJ0040 / HAJ0050



Model	B,mm	D,mm	H max, mm	h, mm	d min, mm	d max, mm	Weight
4LM42-2	Ø82	Ø68	120	41	Ø12,7	Ø50,8	0,07
4LM42-40	Ø69	Ø55	100	34.5	Ø6	Ø40	0.06